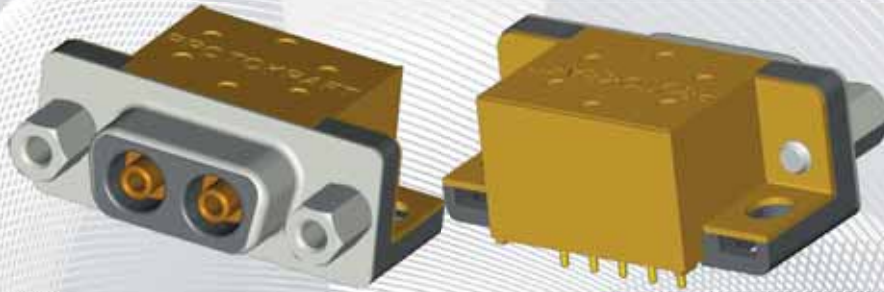


Direct 9 D-Subminiature Fiber Optic Components

Direct 9



DB-9 Combo D
Duplex Fiber Optic Interface
1x/2xFibre Channel, FE or GbE

Features

- ARINC 801 compliant fiber interface offers enhanced resistance to humidity and dust
- Dual jackscrew retention enables immunity to high levels of shock and vibration
- All metal (ceramic ferrule) fiber optic contacts withstand extreme temperatures
- Compliant with IEEE-802.3 - for 1.25Gbps 1000Base-SX Gigabit Ethernet
- Compliant with IEEE-802.3u - for 125Mbps 100Base-FX Fast Ethernet
- Compliant with ANSI Fibre Channel for 1.0625 and 2.125 Gbps
- Options for Dual TX, Dual RX and Duplex transceiver functions
- Identical PCB footprint and front panel opening of DB-9 D-Sub
- Operating temperature range from -40°C to +85°C

Facilitating Secure Communications in Harsh Environments®



PROTOKRAFT[®]

2005 Venture Park, Kingsport, TN 37660 USA
Phone: +1.423.578.7200 | Fax: +1.423.578.7201
email: sales@protokraft.com
www.protokraft.com

Direct 9 D-Subminiature Fiber Optic Components

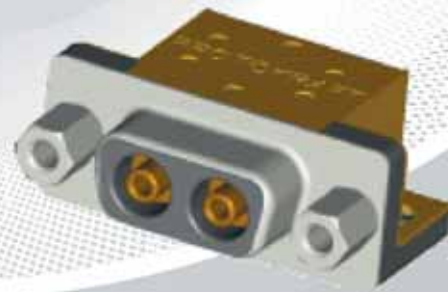
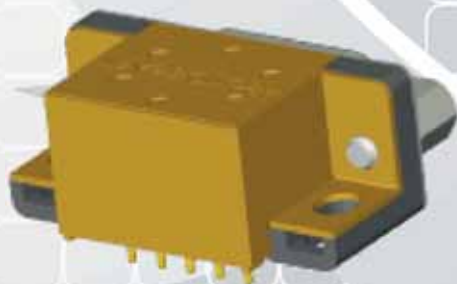
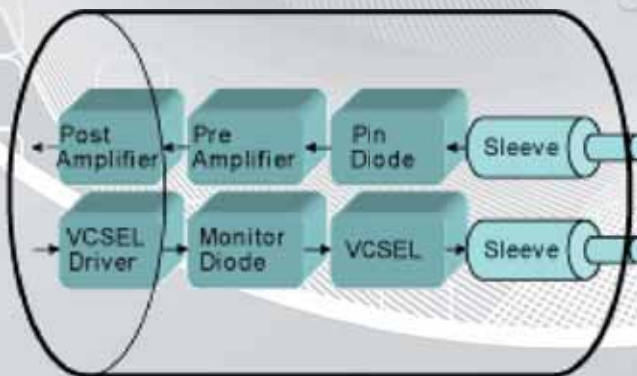
Electrical Interfaces

- CML
- LVPECL
- LVDS

Fiber Optic Interfaces

- 1x/2x Fibre Channel
- Gigabit Ethernet
- Fast Ethernet
- Serial FPDP
- InfiniBand

Each Direct 9 Optical Transceiver is a fully integrated Transceiver, Dual Transmitter or Dual Receiver enabling direct connection to a PHY or SerDes interface.



Facilitating Secure Communications in Harsh Environments®



PROTOKRAFT[®]

2005 Venture Park, Kingsport, TN 37660 USA
Phone: +1.423.578.7200 | Fax: +1.423.578.7201
email: sales@protokraft.com
www.protokraft.com