

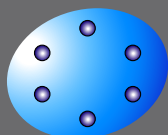
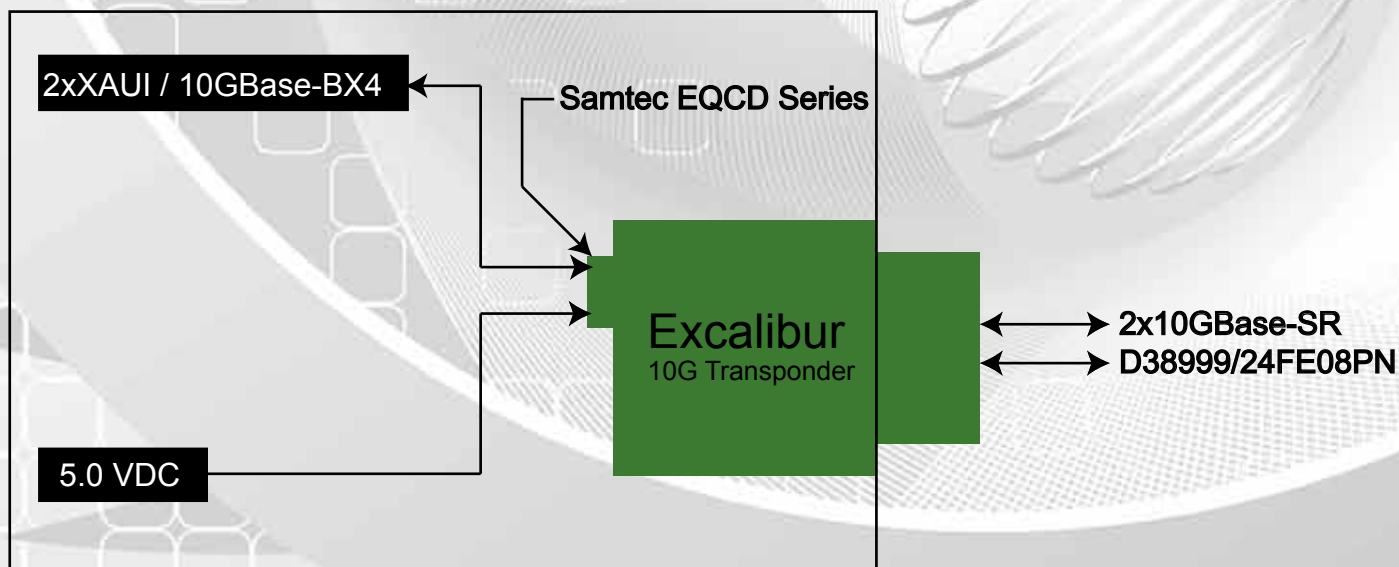
# Excalibur Series 10Gbps Optoelectronic Transponders

## Dual Port XAUI to 10G Base-SR Transponder



### Features

- 2x10G Base-SR fiber optic ports in a rugged metal housing with D38999 connector interface
- 2x10GBase-KX4 or XAUI ports through Samtec EQCD connector to ribbon coax or flexible PCB
- Enables simple high speed electrical interface to backplane, motherboard or daughtercard
- D38999 Size 17-08 Shell with Mil-T-29504/04 multimode fiber optic pin contacts
- Compact size and light weight (<8oz.) for simple mounting and installation
- D38999 flange mount or jam nut mounting configuration options
- Available with OD - CD, black ZN-NI or NI surface finishes
- Operating temperature range from -40°C to +70°C
- 5.0VDC power supply input ~ 1.5 watts per port



**PROTOKRAFT**

**Facilitating Secure Communications in Harsh Environments**

4545 West Stone Drive, Kingsport, TN 37660 USA

Phone: +1.423.578.7200 Fax: +1.423.578.7201

email: [sales@protokraft.com](mailto:sales@protokraft.com)

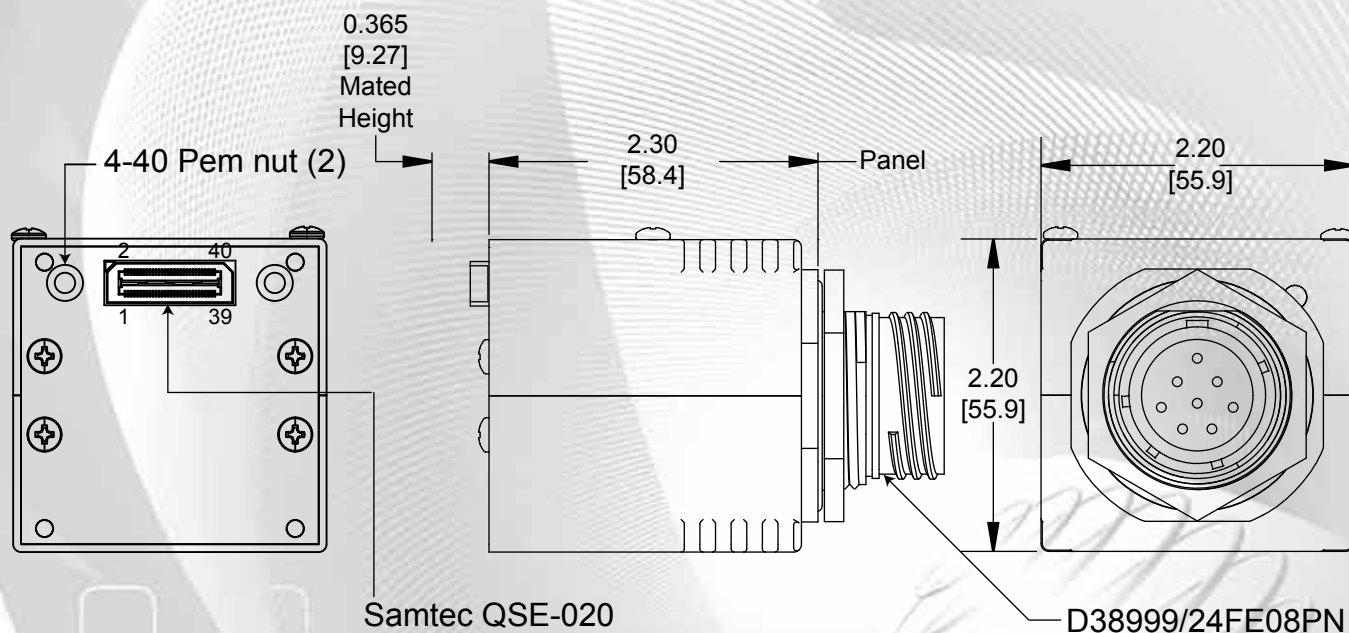
<http://www.protokraft.com>

# Excalibur Series 10Gbps Optoelectronic Transponders

## OUTLINE DRAWING

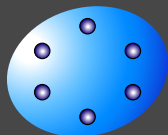
### Jam Nut Option

Dimensions are shown as: inches (mm)



## Panel Cutout Dimensions

Shell Size Code	Shell Size	D1 Min	D2 Min
E	17	1.260 (32.01)	1.210 (30.73)



**PROKRAFT**

Facilitating Secure Communications in Harsh Environments

4545 West Stone Drive, Kingsport, TN 37660 USA

Phone: +1.423.578.7200 Fax: +1.423.578.7201

email: sales@protokraft.com

http://www.protokraft.com