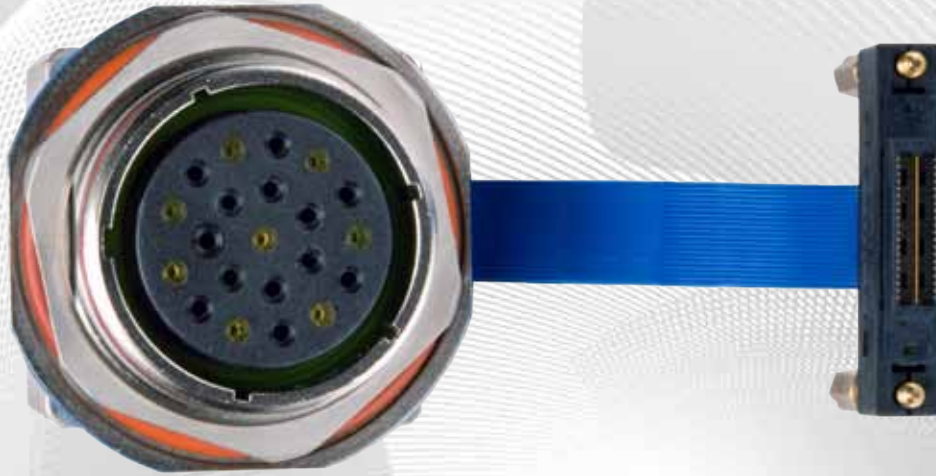
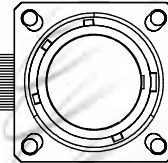
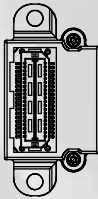


Wildcat Panel Mounted Fiber Optic Ethernet Switch

Quad Port MIL-DTL-38999 Fiber Optic Ethernet Switch



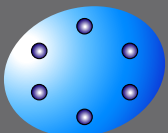
1x 10/100/1000Base-T
SAMTEC SMT
Autonegotiable
Auto MDI-MDIX
5VDC



4x 100Base-FX
or
4x 1000Base-SX
D38999/23-21

Features

- Unmanaged Ethernet switch for 4x1000Base-SX or 100Base-FX switched interface ports
- Samtec SMT connector for simple attachment to motherboard or backplane
- Compact size and light weight (<6oz.) for simple mounting and installation
- MIL-DTL-38999 size 23-21 with 4x fiber optic switch ports
- 5.0 or 12.0Vdc power supply input - maximum < 5.0 Watts
- Operating temperature range from -40°C to +85°C



PROKRAFT

Facilitating Secure Communications in Harsh Environments

4545 West Stone Drive, Kingsport, TN 37660 USA

Phone: +1.423.578.7200 Fax: +1.423.578.7201

email: sales@protokraft.com

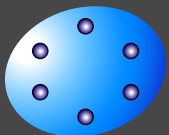
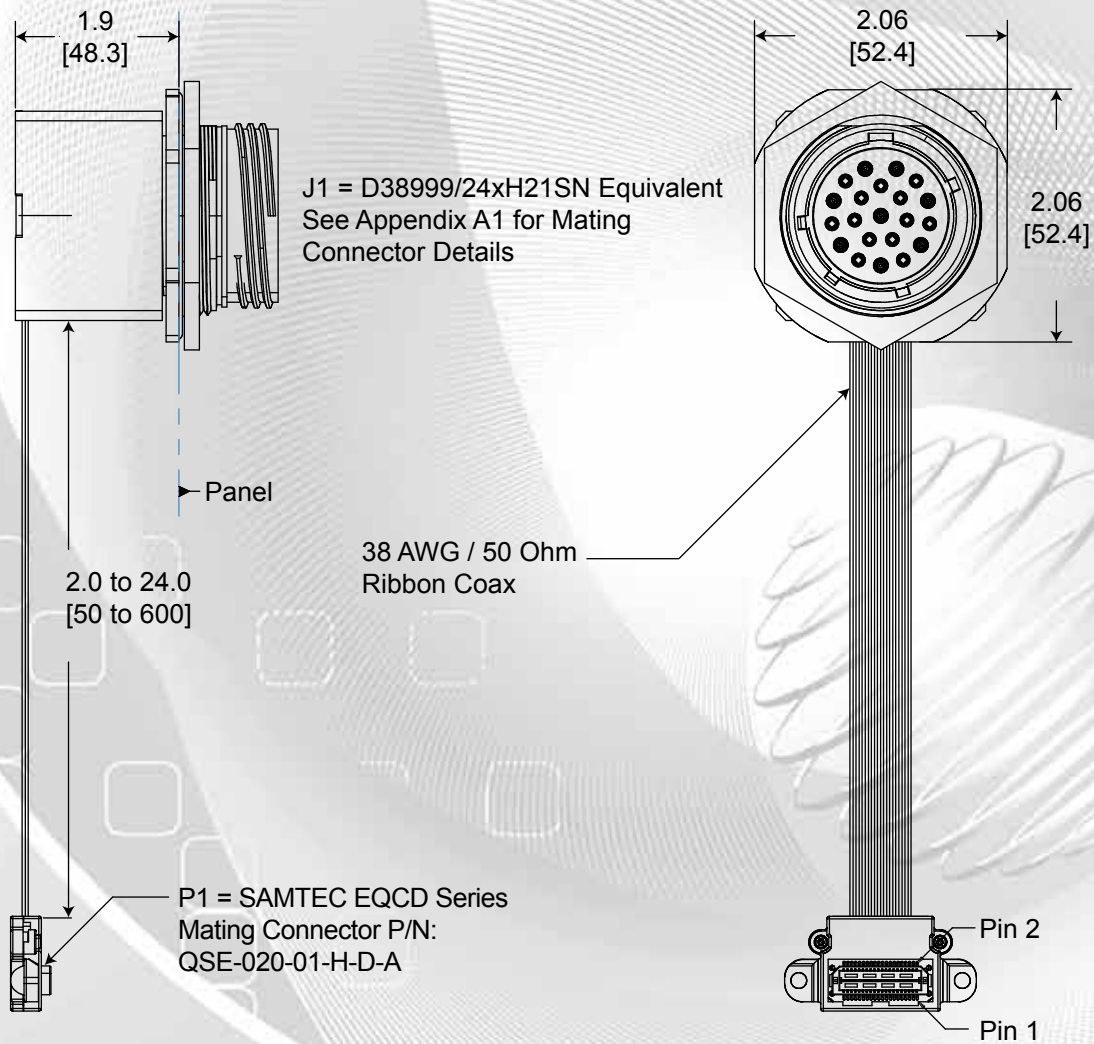
http://www.protokraft.com

Wildcat Panel Mounted Fiber Optic Ethernet Switch

OUTLINE DRAWING

Jam Nut Option

Dimensions are shown as: inches [mm]



PROKRAFT

Facilitating Secure Communications in Harsh Environments

4545 West Stone Drive, Kingsport, TN 37660 USA

Phone: +1.423.578.7200 Fax: +1.423.578.7201

email: sales@protokraft.com

http://www.protokraft.com