

Hornet 4+1 Port Panel Mounted Ethernet Switch

MIL-DTL-38999 10/100/1000Base-T Ethernet Switch

4+1 Port



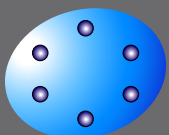
1x 10/100/1000Base-T
SAMTEC SMT
Autonegotiable
Auto MDI-MDIX
5.0VDC



4x 10/100/1000Base-T
D38999/19-35
Autonegotiable
MDI-MDIX

Features

- Unmanaged Ethernet switch for 4+1x10/100/1000Base-T switched interface ports
- Samtec SMT connector for simple attachment to motherboard or backplane
- MIL-DTL-38999 size 19-35 with 4x 10/100/1000Base-T ports
- Total weight of 4.2oz / 121gr. for the complete system
- 5.0VDC power supply input - maximum < 5.0 Watts
- Operating temperature range from -40°C to +85°C



PROTOKRAFT

Facilitating Secure Communications in Harsh Environments

4545 West Stone Drive, Kingsport, TN 37660 USA

Phone: +1.423.578.7200 Fax: +1.423.578.7201

email: sales@protokraft.com

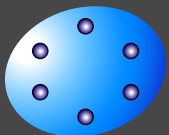
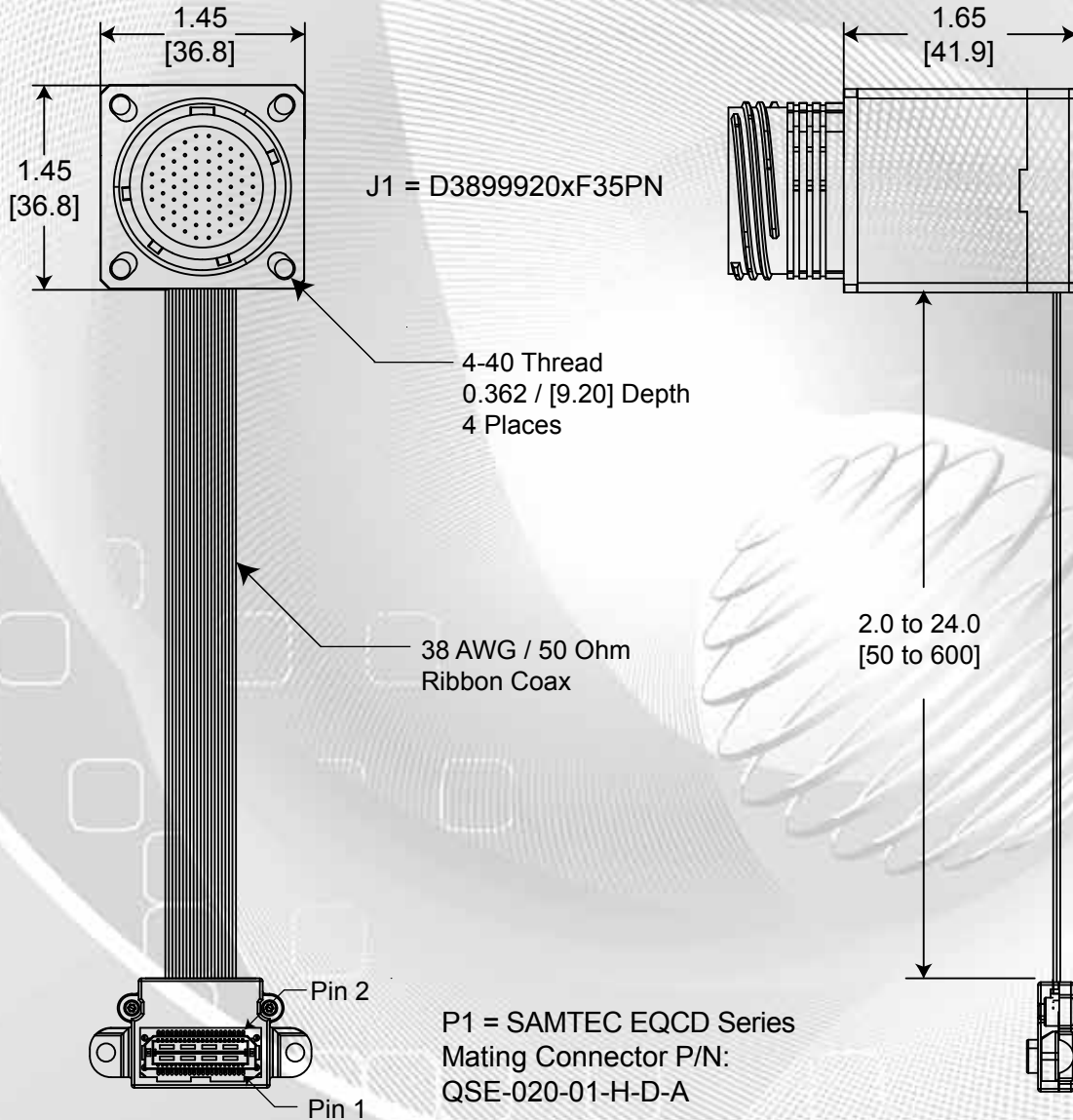
http://www.protokraft.com

Hornet 4+1 Port Panel Mounted Ethernet Switch

OUTLINE DIMENSIONS

Flange Mount Option

Dimensions shown are: inches [mm]



PROKRAFT

Facilitating Secure Communications in Harsh Environments

4545 West Stone Drive, Kingsport, TN 37660 USA

Phone: +1.423.578.7200 Fax: +1.423.578.7201

email: sales@protokraft.com

http://www.protokraft.com