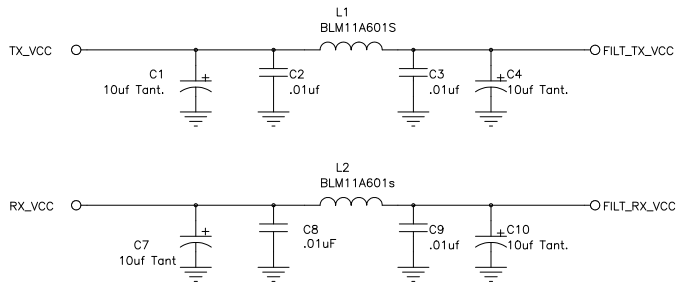
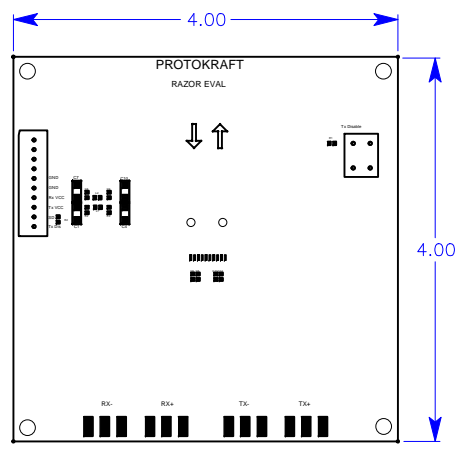
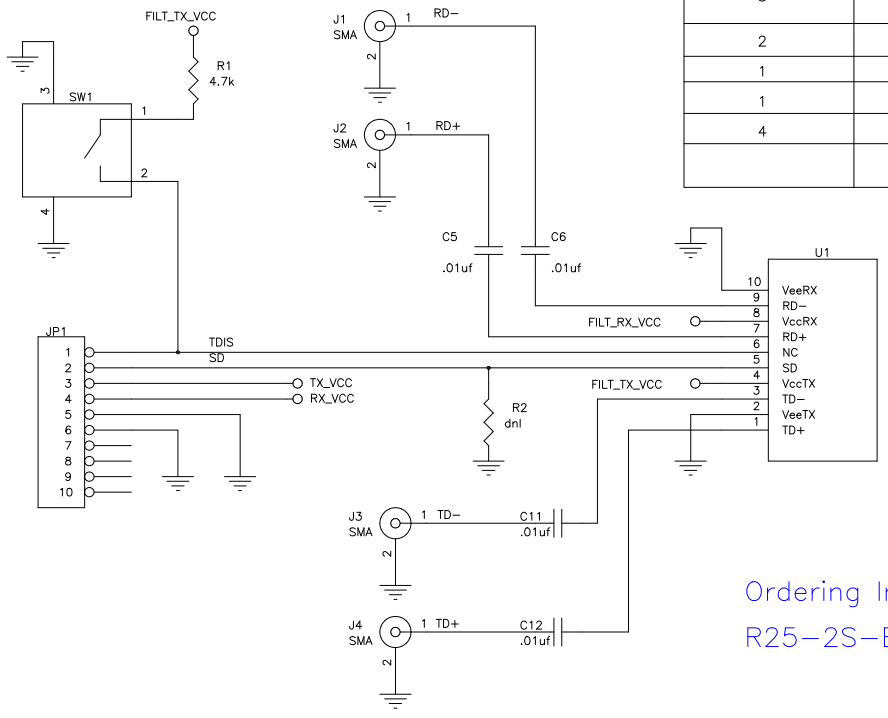


| REV | DCO NUMBER | CHANGED BY/DATE | REV | DCO NUMBER | CHANGED BY/DATE |
|-----|------------|-----------------|-----|------------|-----------------|
| | | | | | |
| | | | | | |
| | | | | | |
| | | | | | |
| | | | | | |
| | | | | | |
| | | | | | |
| | | | | | |
| | | | | | |
| | | | | | |




Bill of Materials:

| Quantity | Reference | Part |
|----------|----------------------------------|------------|
| 4 | C1, C4, C7, C10 | 10uf |
| 8 | C2, C3, C5, C6, C8, C9, C11, C12 | .01uf |
| 2 | L1, L2 | BLM11A601S |
| 1 | R1 | 4.7k |
| 1 | SW1 | Switch |
| 4 | J1, J2, J3, J4 | SMA |



Ordering Information:
R25-2S-EB

| | | | | | |
|---|--|----------|--|------------------------|--|
| Name | | Date | | Title | |
| Created By GS | | 11/15/10 | | Razor Evaluation Board | |
| Checked By | | | | Drawing Number | |
|  PROTOKRAFT LLC. Kingsport, Tennessee 37660 <i>Facilitating Secure Communications in Harsh Environments</i> | | T00349A1 | | Issue | |