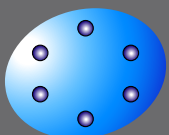
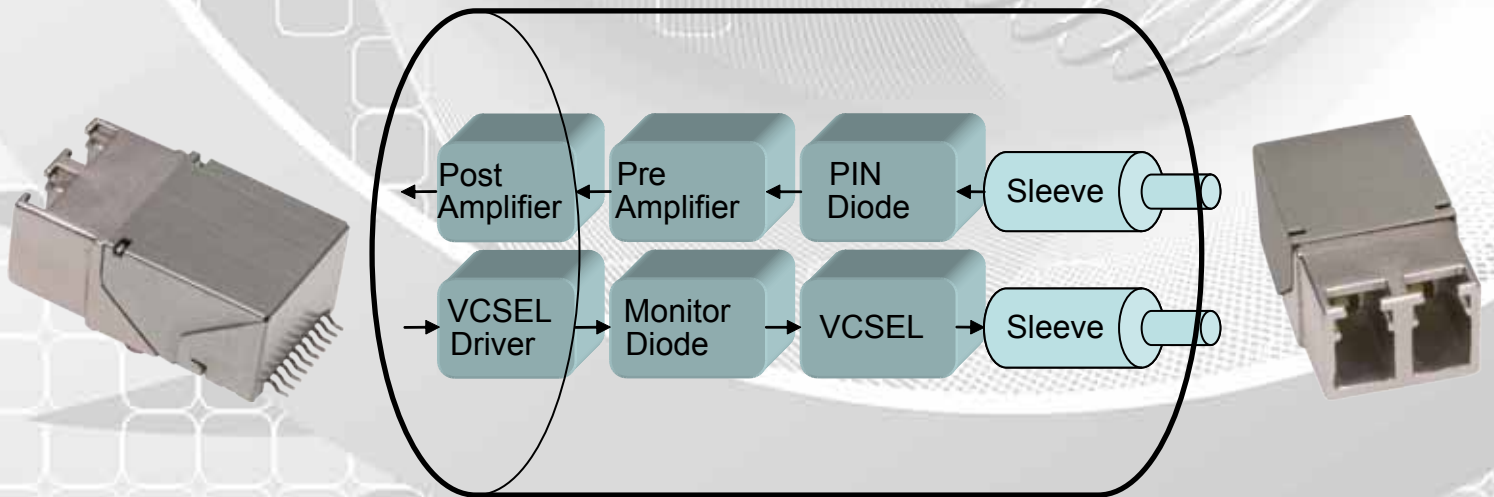


Razor Series 0.125 to 5.0Gbps Optical Transceivers



Features

- Compliant with Fast Ethernet, Gigabit Ethernet, 1x/2x/4xFC, sFPDP and ARINC 818 applications
- Threaded PCB retention studs provide secure mounting in high vibration environments
- Gold plated brass shell meets stringent corrosion performance requirements
- Optical fiber link distances up to 550 Meters (50/125 μ - 500MHz*Km MMF)
- Maximum optical channel bit error rate less than 1×10^{-12}
- Die cast housings are strong, durable and light weight
- Duplex LC compliant optical fiber connector interface
- Operating temperature range from -40°C to $+85^{\circ}\text{C}$
- Mounts in industry standard PCB footprint



PROTOKRAFT

Facilitating Secure Communications in Harsh Environments

4545 West Stone Drive, Kingsport, TN 37660 USA

Phone: +1.423.578.7200 Fax: +1.423.578.7201

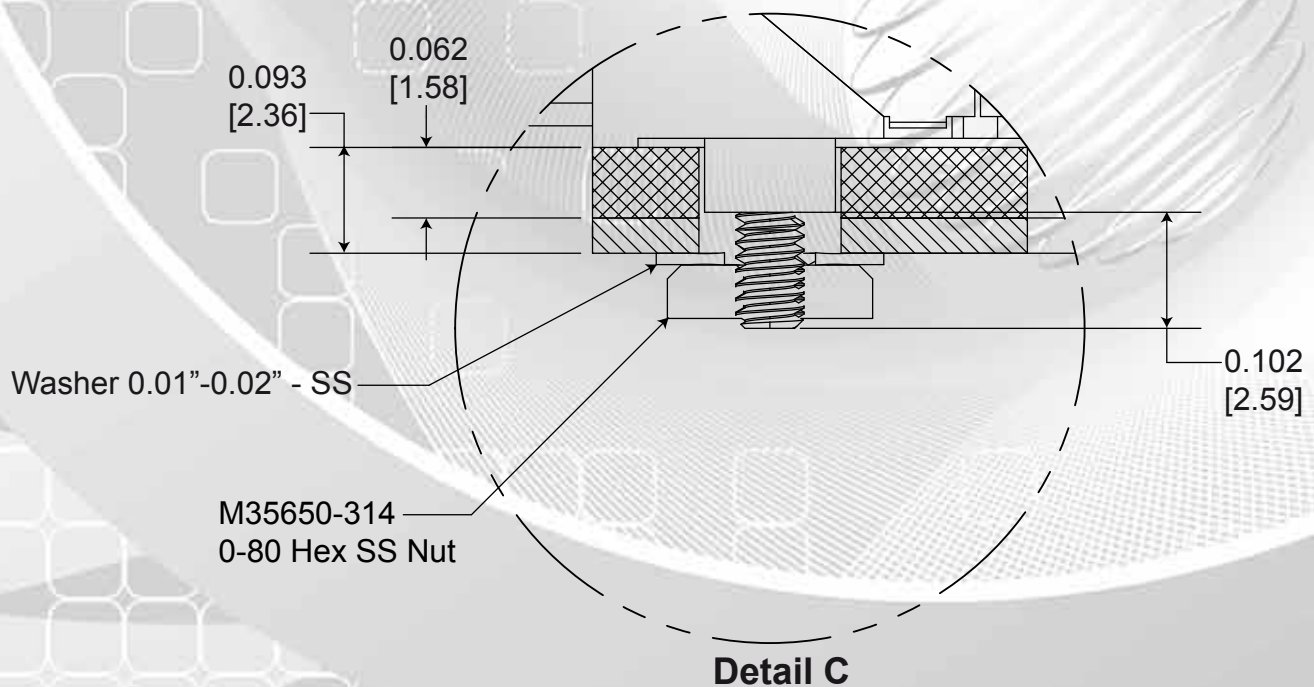
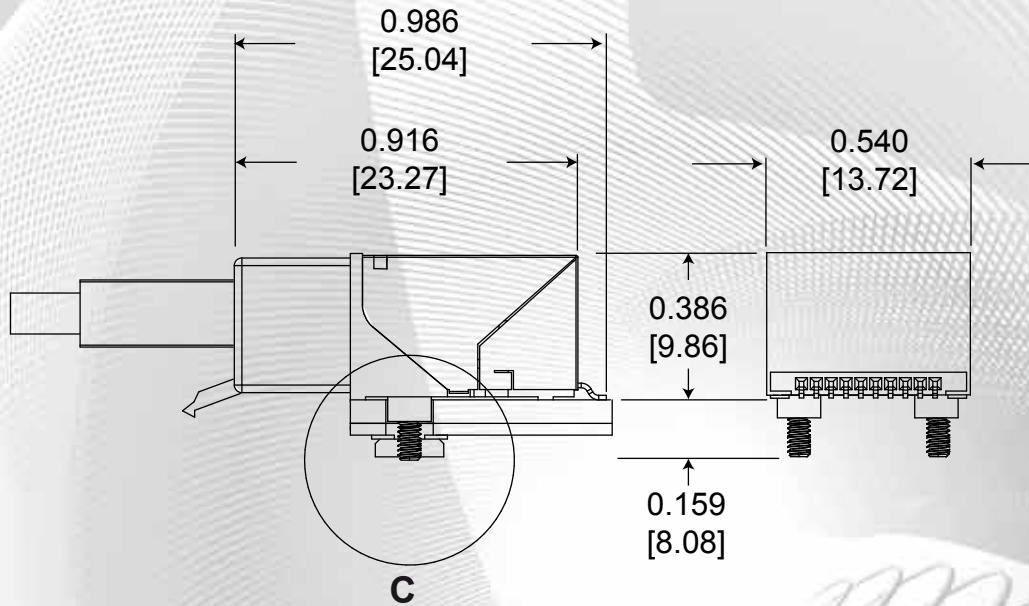
email: sales@protokraft.com

<http://www.protokraft.com>

Razor Series 0.125 to 5.0Gbps Optical Transceivers

OUTLINE DRAWING

Dimensions are shown as: inches [mm]



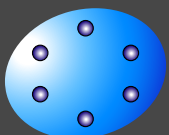
Facilitating Secure Communications in Harsh Environments

4545 West Stone Drive, Kingsport, TN 37660 USA

Phone: +1.423.578.7200 Fax: +1.423.578.7201

email: sales@protokraft.com

http://www.protokraft.com



PROTOKRAFT