

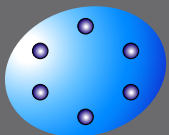
Sabre Size 11-02 D38999 / ELIO® Optical Transceiver



Features

- Optoelectronic transceiver for GbE, 1x/2x/4xFC or sFPDP applications from 100Mbps to 4.25Gbps
- Mil-Dtl-38999 (Size 11-02) with two modular *ELIO® fiber optic TX or RX interfaces
- Compact size and light weight (<2oz. / 57gr.) for simple mounting and installation
- Available in Olive Drab Cadmium, Zinc-Nickel or Electroless Nickel plating
- Compliant with ARINC 801, EN4531 and ABS1213 / 1379
- D38999 ELIO® Size 11-02 square flange or jam nut shell
- Dual transmitter or dual receiver configurations available
- Operating temperature range from -55°C to +85°C
- 3.3Vdc power supply inputs

*ELIO® is a registered trademark of Souriau



PROTOKRAFT

Facilitating Secure Communications in Harsh Environments

4545 West Stone Drive, Kingsport, TN 37660 USA

Phone: +1.423.578.7200 Fax: +1.423.578.7201

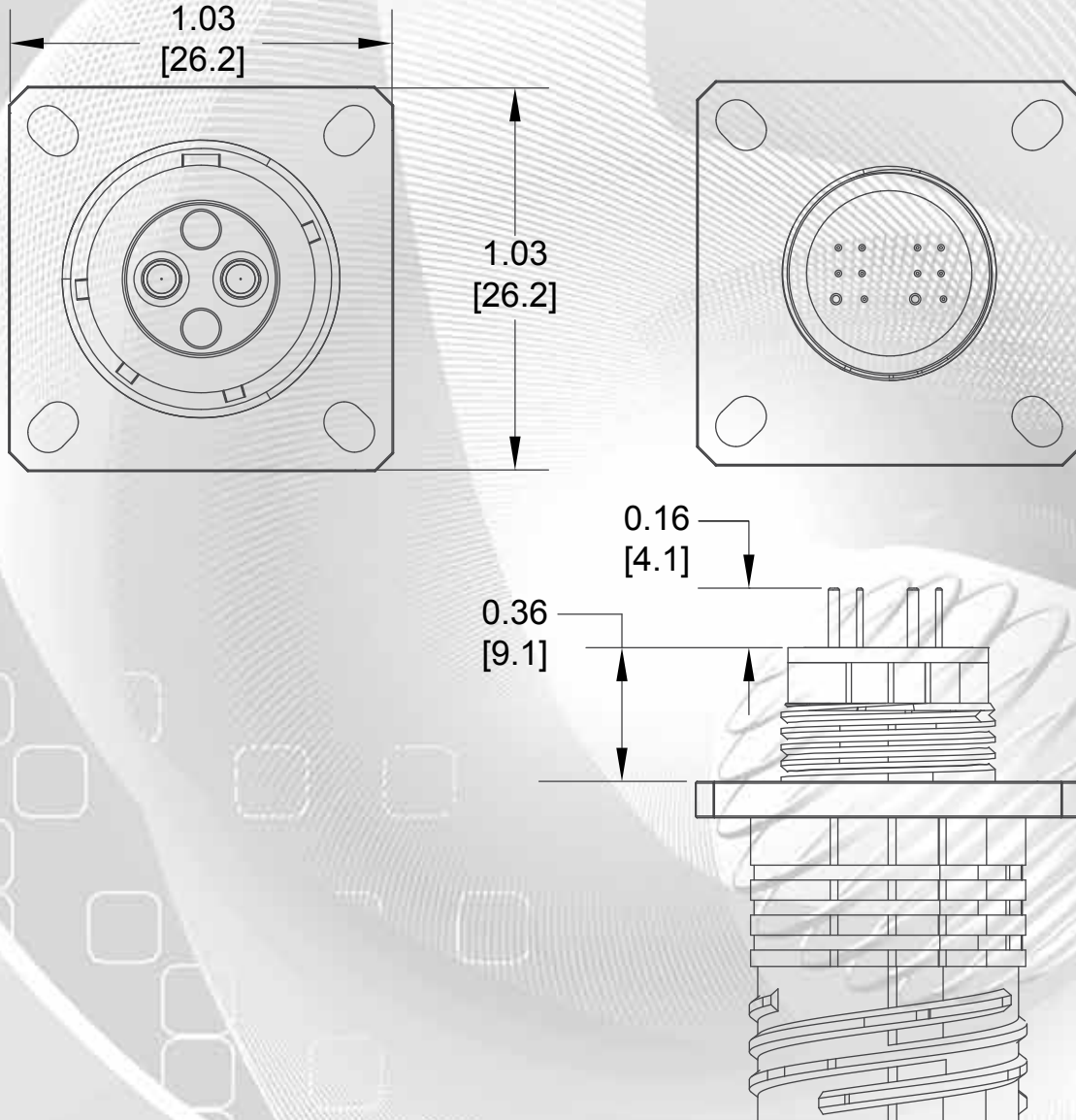
email: sales@protokraft.com

http://www.protokraft.com

Sabre Size 11-02 D38999 / ELIO® Optical Transceiver

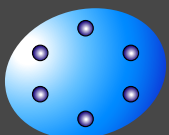
Outline Drawing

Dimensions are shown as: Inches [MM]



Souriau Mating Fiber Optic Cable Plug P/N 8D5E11x02AN
x = Service Class (material and finish)

ELIO® is a registered trademark of Souriau



PROKRAFT

Facilitating Secure Communications in Harsh Environments

4545 West Stone Drive, Kingsport, TN 37660 USA

Phone: +1.423.578.7200 Fax: +1.423.578.7201

email: sales@protokraft.com

<http://www.protokraft.com>