

Mustang Jam Nut *TFOCA II® Ethernet Media Converters

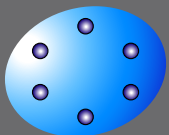
MUSTANG



Features

- Optoelectronic conversion of 1000Base-TX to 1000Base-SX Gigabit Ethernet (copper to fiber)
- Optoelectronic conversion of 10/100Base-TX to 100Base-FX Fast Ethernet (copper to fiber)
- TFOCA II® fiber optic connector with multimode or single mode interface
- Compact size and light weight (<6oz.) for simple mounting and installation
- Zinc-Nickel plating complies with severe environment requirements
- Mil-Dtl-83513 Micro D electrical signal connector interfaces
- Operating temperature range from -40°C to +85°C
- 3.3, 12.0 or 28.0Vdc power supply input

TFOCA II® is a registered trademark of Amphenol



PROKRAFT

Facilitating Secure Communications in Harsh Environments

4545 West Stone Drive, Kingsport, TN 37660 USA

Phone: +1.423.578.7200 Fax: +1.423.578.7201

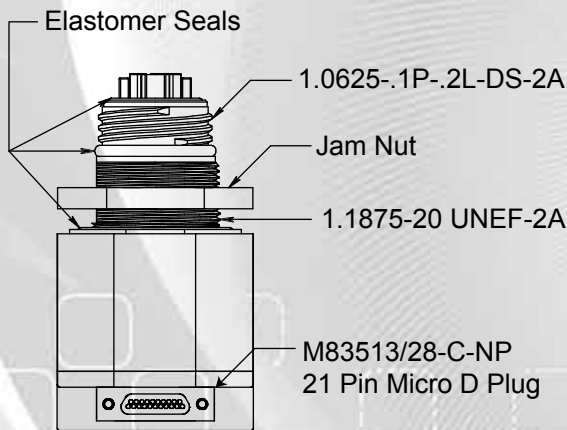
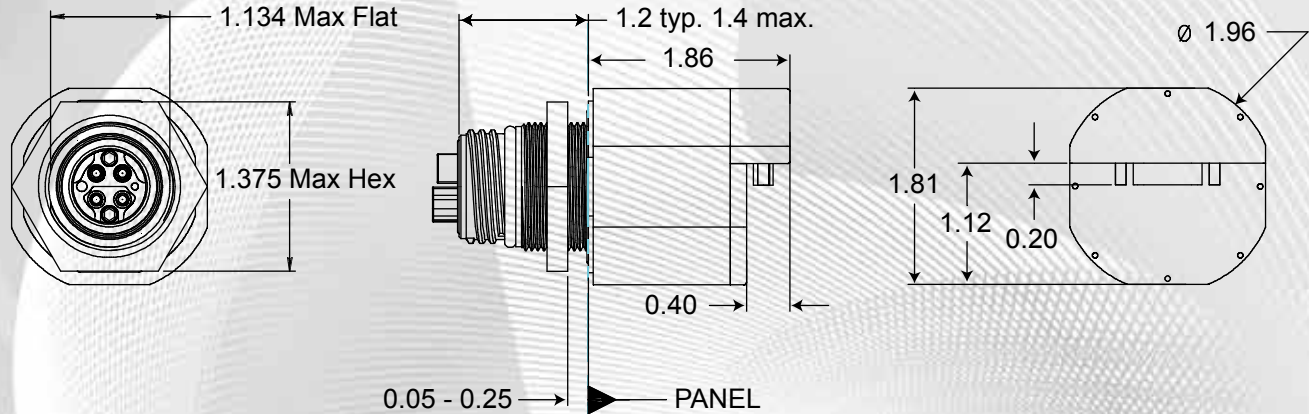
email: sales@protokraft.com

<http://www.protokraft.com>

Mustang Jam Nut *TFOCA II® Ethernet Media Converters

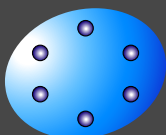
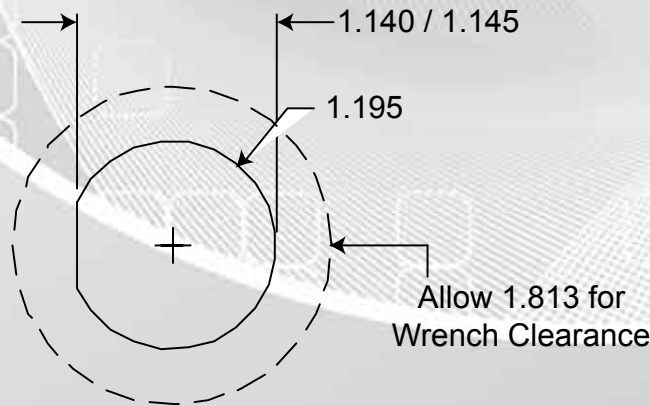
OUTLINE DRAWING

Dimensions are shown as: inches



Panel Cutout Dimensions

Dimensions are shown as: inches



PROKRAFT

Facilitating Secure Communications in Harsh Environments

4545 West Stone Drive, Kingsport, TN 37660 USA

Phone: +1.423.578.7200 Fax: +1.423.578.7201

email: sales@protokraft.com

http://www.protokraft.com