

# Magnum Optoelectronic Size 8 Cavity Insert



**Magnum - EN 4531**



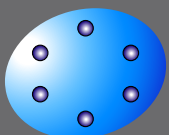
**Magnum - 801**

Optoelectronic Size 8 Cavity for Quadrax Cavities  
Simplex Active Fiber Optic Interface (TX or RX)  
FE, GbE, 1x/2x/4xFibre Channel or Serial FPDP  
6 Pin Electrical Interface



## Features

- Front release optoelectronic Size 8 cavity inserts in rectangular connector applications
- Rugged fiber optic interface offers enhanced resistance to humidity and dust
- All metal construction enables immunity to high levels of shock and vibration
- Compatible with all standard Arinc 600 and MIL-DTL-83527 Size 8Q cavities
- Compliant with IEEE-802.3u / IEEE-802.3:2005 for Fast or Gigabit Ethernet
- Options for ARINC 801 or EN 4531 mechanical fiber optic contact interface
- Compliant with ANSI Fibre Channel for 1.0625 / 2.125 / 4.25 Gbps
- Compliant with VITA 17.1 sFPDP for 2.5 / 3.125 Gbps
- Operating temperature range from -55°C to +85°C



**PROTOKRAFT**

**Facilitating Secure Communications in Harsh Environments**

4545 West Stone Drive, Kingsport, TN 37660 USA

Phone: +1.423.578.7200 Fax: +1.423.578.7201

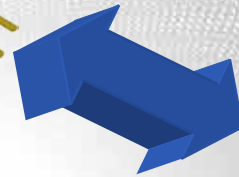
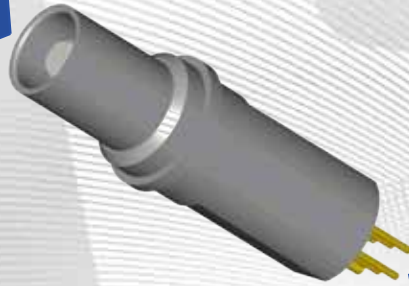
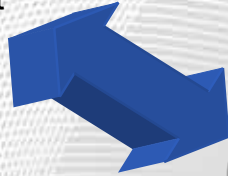
email: [sales@protokraft.com](mailto:sales@protokraft.com)

<http://www.protokraft.com>

# Magnum Optoelectronic Size 8 Cavity Insert

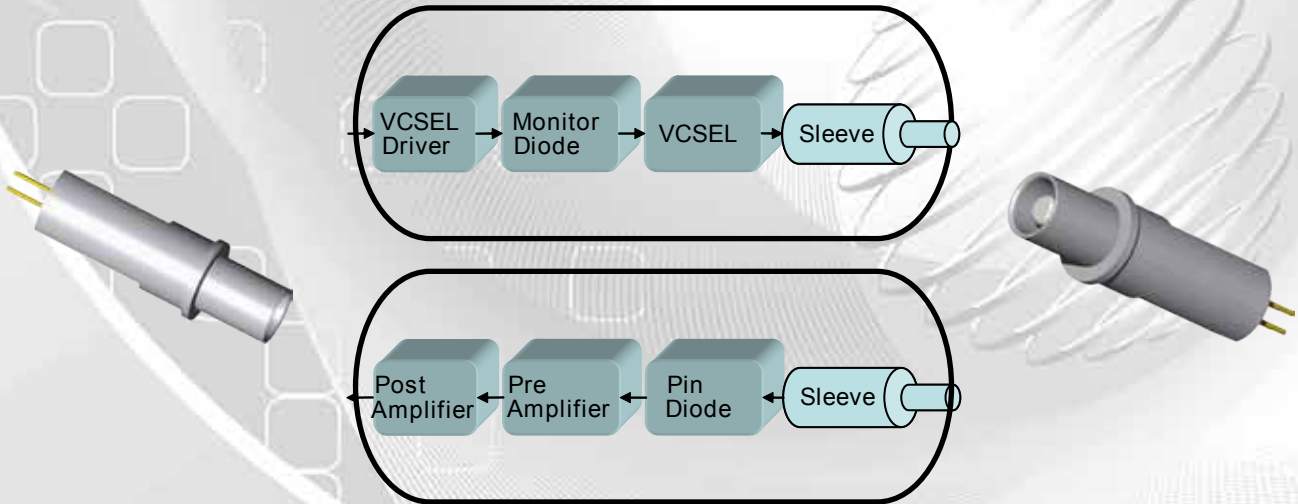
## Fiber Optic Interfaces

- 1x/2x/4x Fibre Channel
- Gigabit Ethernet
- Fast Ethernet
- Serial FPDP

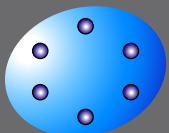


## Electrical Interfaces

- CML
- LVPECL
- LVDS



Each Magnum Optoelectronic Size 8 Cavity Insert is a fully integrated Transmitter or Receiver enabling direct connection to a PHY or SerDes interface.



**PROTKRAFT**

Facilitating Secure Communications in Harsh Environments

4545 West Stone Drive, Kingsport, TN 37660 USA

Phone: +1.423.578.7200 Fax: +1.423.578.7201

email: [sales@protokraft.com](mailto:sales@protokraft.com)

<http://www.protokraft.com>