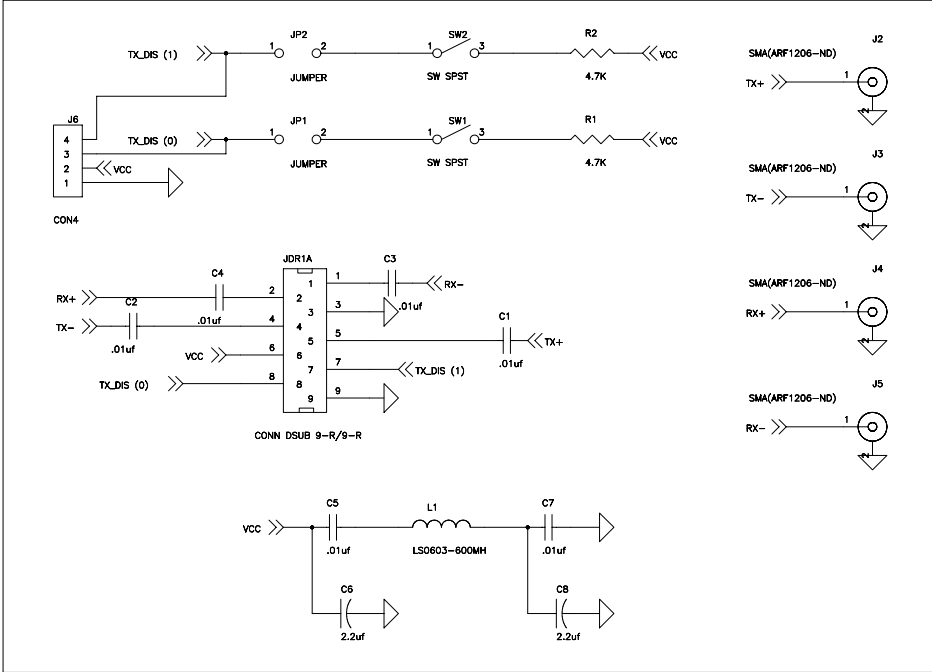


REV	DCO NUMBER	CHANGED BY/DATE	REV	DCO NUMBER	CHANGED BY/DATE

Ordering Information: P24-2-EB

Schematic



Bill Of Materials

Quantity	Reference	Part
6	C1,C2,C3,C4,C5,C7	0.01uf
2	C6,C8	2.2uf
1	JDR1	CONN DSUB 9-R/9-R
2	JP1,JP2	JUMPER
4	J2,J3,J4,J5	SMA(ARF1206-ND)
1	J6	4 Connection Terminal Block
1	L1	LS0603-600MH
2	R1,R2	4.7K
2	SW1,SW2	Pushbutton (CKN4082-ND)

Title		Direct 9 Evaluation Board Application Notes
Created By	J.Breedlove	
Checked By		

Name	Date

Drawing Number	Issue
T00240A1	1