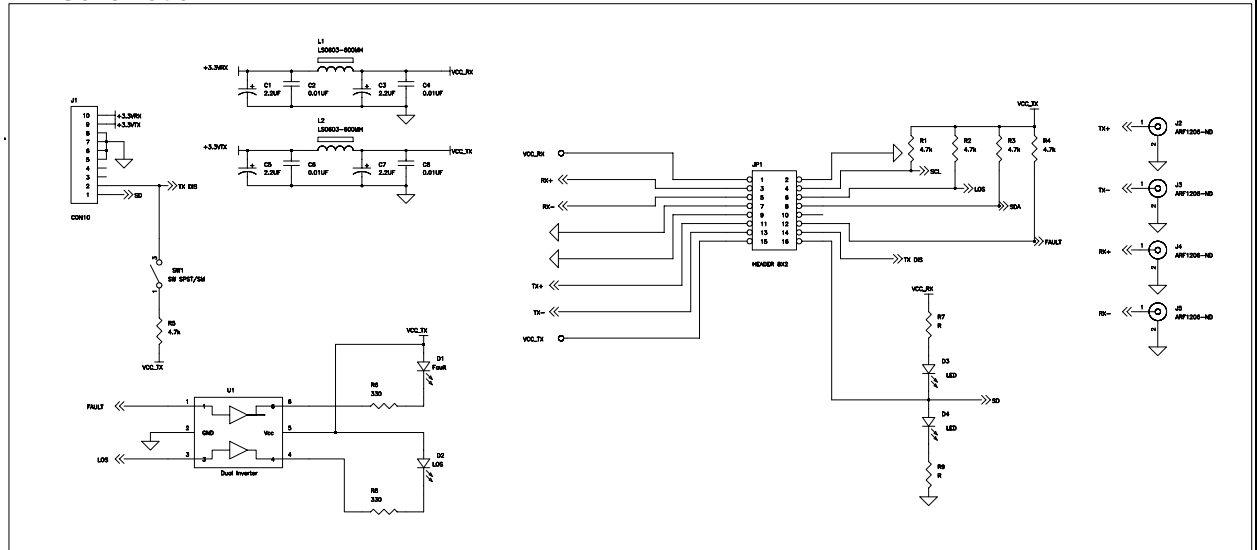



REV	DCO NUMBER	CHANGED BY/DATE	REV	DCO NUMBER	CHANGED BY/DATE

Ordering Information: P38-2-EB

Schematic



Bill Of Materials		
Quantity	Reference	Part
4	C1,C3,C5,C7	2.2UF
4	C2,C4,C6,C8	0.01UF
4	D1,D2,D3,D4	Red LED
1	JP1	HEADER 8X2
1	J1	10 Connection Terminal Block
4	J2,J3,J4,J5	SMA (ARF1206-ND)
2	L1,L2	600MH
5	R1,R2,R3,R4,R5	4.7k
2	R6,R8	330
2	R7,R9	0
1	SW1	Pushbutton (CKN4082-ND)
1	U1	Dual Inverter (SN74LVC2GU04-3.3)

Name		Date		Title P38-2 Series Evaluation Board Application Notes	
Created By J.Breedlove		11-15-07			
Checked By				Drawing Number T00231A1	
 PROTOKRAFT LLC. Kingsport, Tennessee 37660 Facilitating Secure Communications in Harsh Environments				Issue 1	