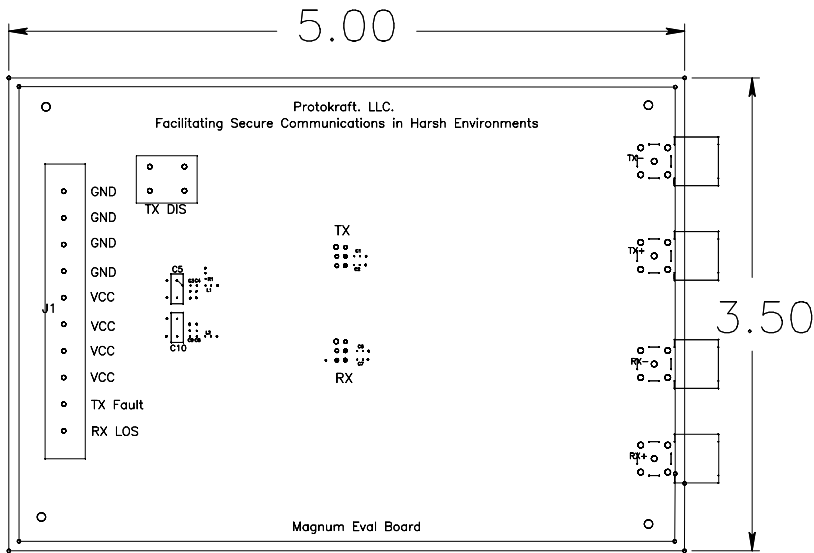
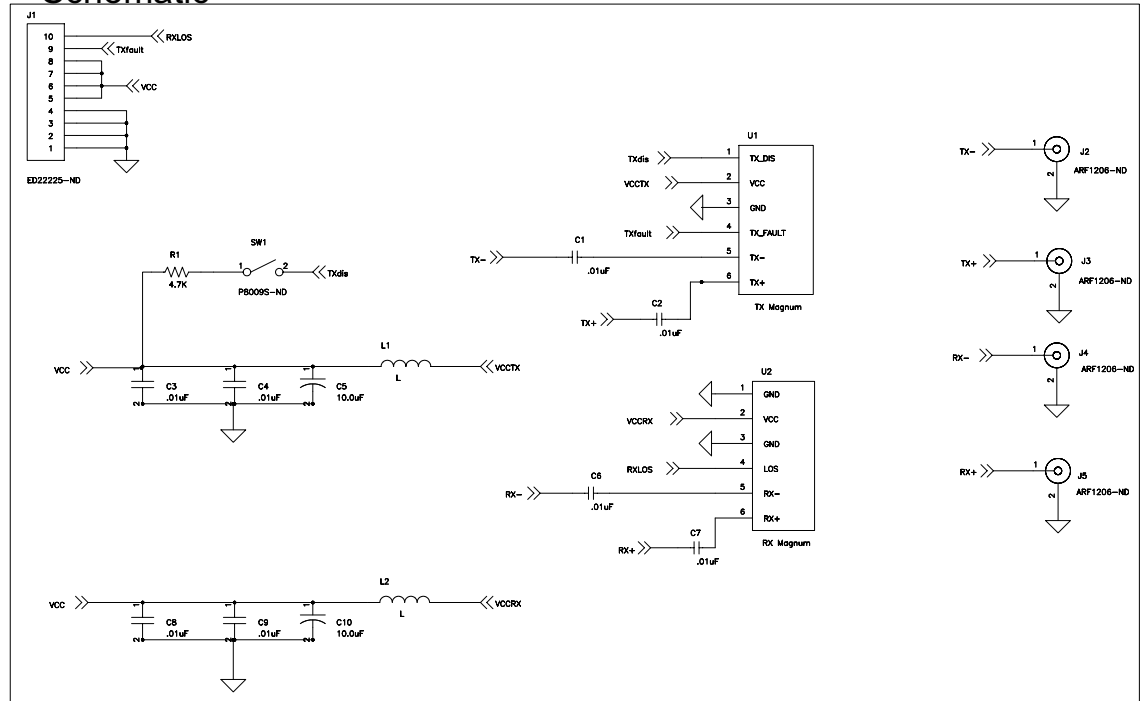


REV	DCO NUMBER	CHANGED BY/DATE	REV	DCO NUMBER	CHANGED BY/DATE



Ordering Information: P44-2-EB

Schematic



Bill Of Materials

Quantity	Reference	Part
7	C1,C2,C3,C4,C7,C8,C9	.01uF
2	C10,C5	10.0uF
1	C6	.01uF
1	J1	10 Connector Terminal Block
4	J2,J3,J4,J5	Gold SMA
2	L1,L2	600 Ohm
1	R1	4.7K
1	SW1	Pushbutton(P8009S-ND)
1	U1	TX Magnum
1	U2	RX Magnum



PROTOKRAFT LLC.
Kingsport, Tennessee 37660
Facilitating Secure Communications in Harsh Environments

ENGDATE: J.BREEDLOVE 11-13-07	<h2>Magnum Evaluation Board App Note</h2>
APPROVEDDATE:	
CAGE CODE: 418T5	dwg #: T00249A1